

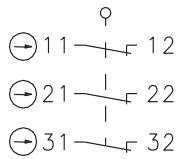
# Metal bodied limit switch

## Series D

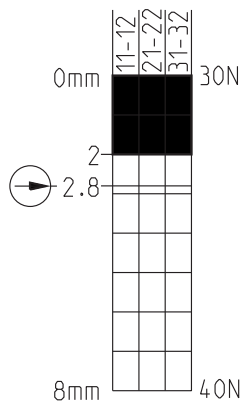
Description **D-A3Z STW**

Article number **6042906114**

### Operating symbol

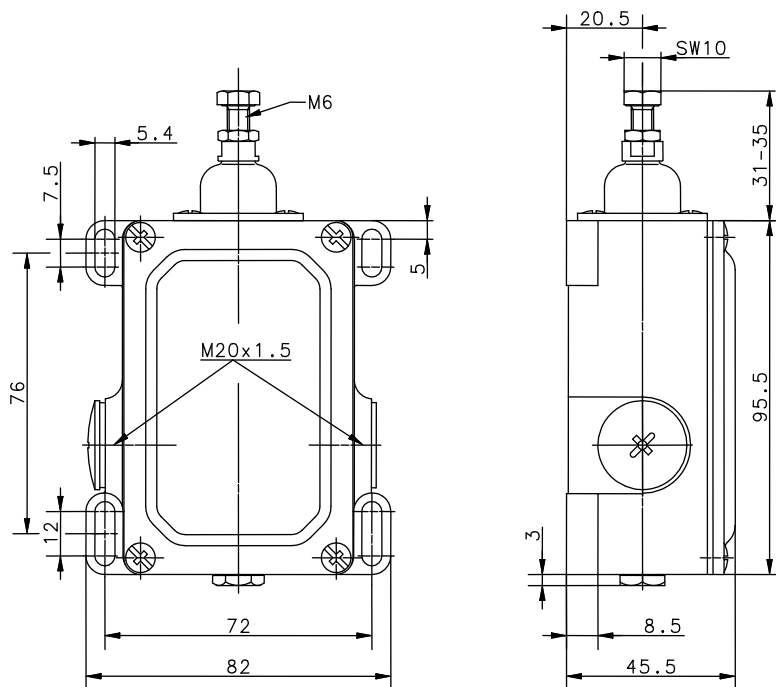


### Operating diagram



On
  Off

Tolerance:  
 Operating Point  $\pm 0,25$  mm;  
 Operating force  $\pm 10$  %



### Electrical Data

Rated insulation voltage	$U_i$	400 V AC
Conv. thermal current	$I_{th}$	16 A
Rated operational voltage	$U_e$	240 V
Utilization category		AC-15, $U_e/I_e$ 240 V / 10 A
Direct opening action	$\ominus$	acc. to IEC/EN 60947-5-1, annex K
Short-circuit protective device		Fuse 16 A gG IEC/EN 60947-5-1
Protection class		I

Mechanical data	
Enclosure	Die-cast aluminium
Cover	Sheet aluminium
Actuator	Push bolt (adjustable)
Ambient air temperature	-30 °C ... +80 °C
Contact type	3 NC
Mechanical life	10 x 10 <sup>6</sup> switching cycles
Switching frequency	≤ 100 / min.
Assembly	4 x M5
Connection	6 screw connections (M4)
Conductor cross-sections	Solid: 0,5 ... 1,5 mm <sup>2</sup> or Litz wire with ferrules: 0,5 ... 1,5 mm <sup>2</sup>
Cable entrance	2 x M20 x 1,5
Weight	≈ 0,42 kg
Installation position	operator definable
Protection type	IP65 acc. to IEC/EN 60529

ID for safety engineering	
B10d	20 x 10 <sup>6</sup> cycles

Actuation	
Actuation only in plunger direction	

Standards	
VDE 0660 T100, DIN EN 60947-1, IEC 60947-1	
VDE 0660 T200, DIN EN 60947-5-1, IEC 60947-5-1	
DIN EN ISO 13849-1	

EU Conformity	
acc. to directive 2014/35/EU (Low-Voltage-Directive)	

Approvals	
cCSA <sub>US</sub> A300 (same polarity)	
CCC	

Notes	
The degree of protection (IP code) specified applies solely to a property closed cover and the use of an equivalent cable gland with adequate cable.	